

| NON-KEYED VERSION A-71355-30** | | KEYING OPTION "1" A-71355-31** | | KEYING OPTION "2" A-71355-32** | | CKT. SIZE | DIM. "A" | | DIM. "B" | | DIM. "C" | | DIM. "D" | | DIM. "E" | |
|-----------------------------------|--------------|-----------------------------------|--------------|-----------------------------------|--------------|--------------|----------|-------|----------|-------|----------|-------|----------|------|----------|-------|
| E.D.P. NUMBER | ENG. NUMBER | E.D.P. NUMBER | ENG. NUMBER | E.D.P. NUMBER | ENG. NUMBER | | MM | IN. | MM | IN. | MM | IN. | MM | IN. | MM | IN. |
| 015-83-0304 | A-71355-3004 | 015-83-0334 | A-71355-3104 | 015-83-0354 | A-71355-3204 | 4 | 27,30 | 1.075 | 21,59 | .850 | 11,43 | .450 | 3,81 | .150 | 27,25 | 1.073 |
| 015-83-0306 | A-71355-3006 | 015-83-0336 | A-71355-3106 | 015-83-0356 | A-71355-3206 | 6 | 29,84 | 1.175 | 24,13 | .950 | 13,97 | .550 | 6,35 | .250 | 29,79 | 1.173 |
| 015-83-0308 | A-71355-3008 | 015-83-0338 | A-71355-3108 | 015-83-0358 | A-71355-3208 | 8 | 32,38 | 1.275 | 26,67 | 1.050 | 16,51 | .650 | 8,89 | .350 | 32,33 | 1.273 |
| 015-83-0316 | A-71355-3016 | 015-83-0346 | A-71355-3116 | 015-83-0366 | A-71355-3216 | 16 | 42,54 | 1.675 | 36,83 | 1.450 | 26,67 | 1.050 | 19,05 | .750 | 42,49 | 1.673 |

NOTES: 1. FOR ILLUSTRATION PURPOSES AN 8 CIRCUIT ASSEMBLY IS SHOWN.

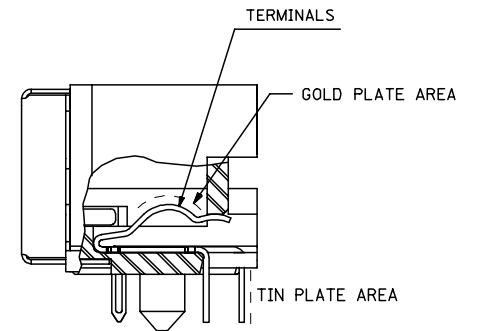
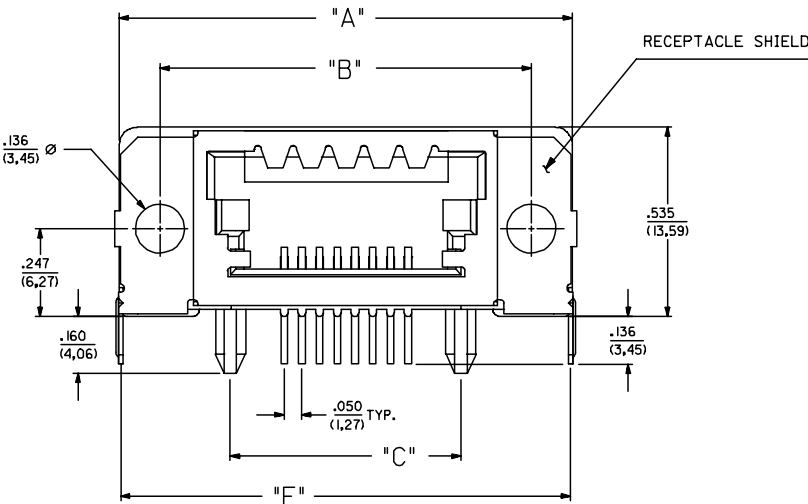
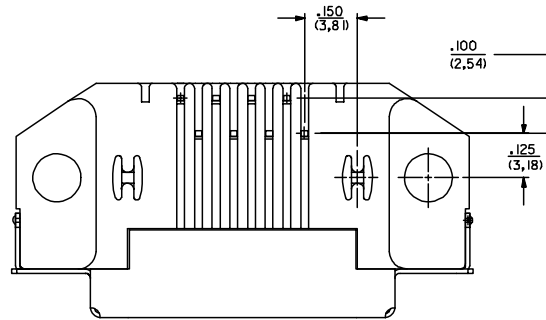
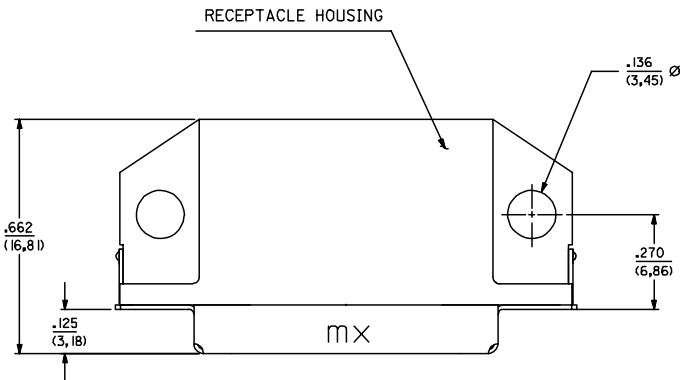
2. MATERIAL:

HOUSING: GLASS FILLED LIQUID CRYSTAL POLYMER (LCP), UL94 V-0, COLOR: BLACK.
 SHIELD: BRASS WITH (2.54 MICROMETER)/100 MICROINCH MINIMUM BRIGHT TIN OVER NICKEL.
 CONTACTS: PHOSPHOR BRONZE
 SELECTIVE GOLD (Au) IN THE CONTACT AREA:
 THICKNESS=(1.27 MICROMETER)/50 MICROINCH MINIMUM;
 SELECTIVE TIN IN THE PC TAIL AREA:
 THICKNESS=(2.54 MICROMETER)/100 MICROINCH MINIMUM;
 NICKEL (Ni) UNDERPLATE OVER ENTIRE PIN.

3. ASSEMBLIES ARE PACKAGED PER SPEC PK-70873-0008.

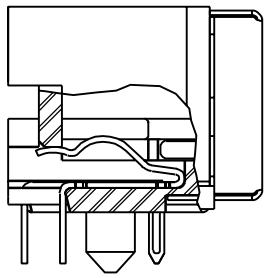
4. PRODUCT SPEC IS PS-71350-A.

5. APPLICATION SPEC IS AS-71355.

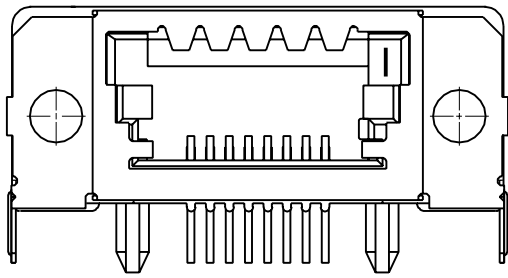


NON-KEYED VERSION SHOWN

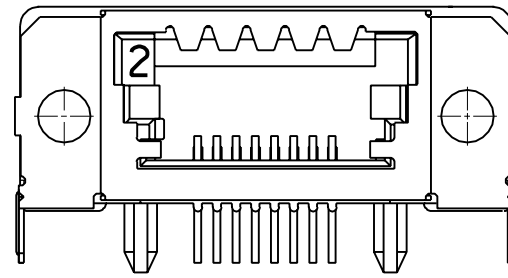
| | | | | | | | | |
|--|-------------------------------|---------------------------------------|---------------|-----------------------------------|---------------------|---|------------------------|--|
| ROHS COMPLIANCE EC NO: E2007-0364 DRAWN BY: DRW:NBRYNES CHKD: CHFKD: APPR: EOMAHONY 2006/11/02 2006/11/24 2006/11/27 | QUALITY SYMBOLS ▽=0 ▽=0 | GENERAL TOLERANCES (UNLESS SPECIFIED) | | DIMENSION STYLE MM ONLY | SCALE 4:1 | DESIGN UNITS METRIC | THIRD ANGLE PROJECTION | |
| | | 4 PLACES ± --- ± --- | mm INCH | DRAWN BY J. LONG | DATE 1985/11/02 | TITLE SALES ASSEMBLY | | |
| | | 3 PLACES ± --- ± .010 | ± .010 ± .014 | CHECKED BY BIXLER | DATE 1985/11/02 | MOLEX INCORPORATED | | |
| | | 2 PLACES ± 0.25 ± .014 | ± .014 ± --- | APPROVED BY IT | DATE 1985/11/02 | MATERIAL NO. SDA-71355-3*** DOCUMENT NO. | | |
| DRAFT WHERE APPLICABLE MUST REMAIN WITHIN DIMENSIONS | | SEE CHART | | SHEET NO. 1 OF 2 | | THIS DRAWING CONTAINS INFORMATION THAT IS PROPRIETARY TO MOLEX INCORPORATED AND SHOULD NOT BE USED WITHOUT WRITTEN PERMISSION | | |



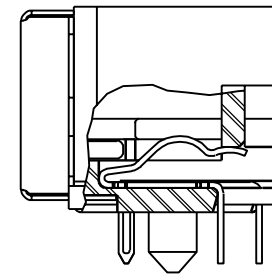
KEYING OPTION "1"



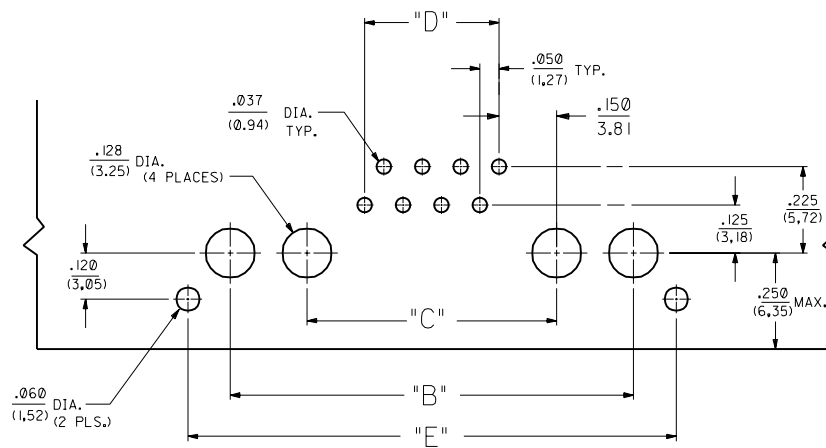
A-71355-31**



KEYING OPTION "2"



A-71355-32**



RECOMMENDED P.C.B. LAYOUT

RECEPTACLE SIDE SHOWN

| | |
|---|-------------|
| H | SEE SHEET I |
| G | SEE SHEET I |
| F | SEE SHEET I |
| D | SEE SHEET I |
| C | SEE SHEET I |
| B | SEE SHEET I |
| A | SEE SHEET I |
| 2 | SEE SHEET I |

| | | | | | | | |
|--|--|------------------|--|----------------------|--|---------------------------|--|
| DIMENSIONS SHOWN (METRIC) INCH | | ▽ = 0 | | ▼ = 0 | | REVISE ONLY ON CAD SYSTEM | |
| UNLESS OTHERWISE SPECIFIED TOLERANCES ANGULAR ± 1/2° | | | | | | | |
| 3 PLACE ± | | INCH | | METRIC | | | |
| 2 PLACE ± | | | | ± | | | |
| 1 PLACE ± | | | | ± | | | |
| DRAWING WHERE APPLICABLE MUST REMAIN WITHIN DIMENSIONS | | | | | | | |
| DRAWN BY: J L | | CHK'D BY: BIXLER | | FILE NAME: S71355KCS | | SHEET NO.: 2 | |
| APP'D BY: IT | | SCALE: 4 : 1 | | DRAWN BY: L15LEJLL | | DATE: 02/11/85 | |
| PART NO. | | DRWG. NO. | | MFG. SH. 60532 | | U.S.A. | |
| SEE CHART | | | | SDA-71355-3*** | | | |
| THIS DRAWING CONTAINS INFORMATION THAT IS PROPRIETARY TO MOLEX INC. AND SHOULD NOT BE USED WITHOUT WRITTEN PERMISSION. | | | | | | | |

71355